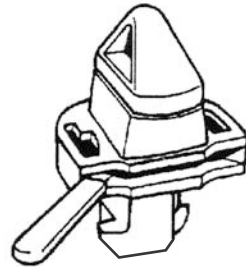
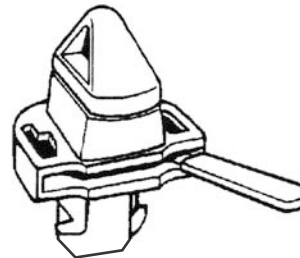


**5005-2936-RL**  
**RIGHT HAND LOCKING**

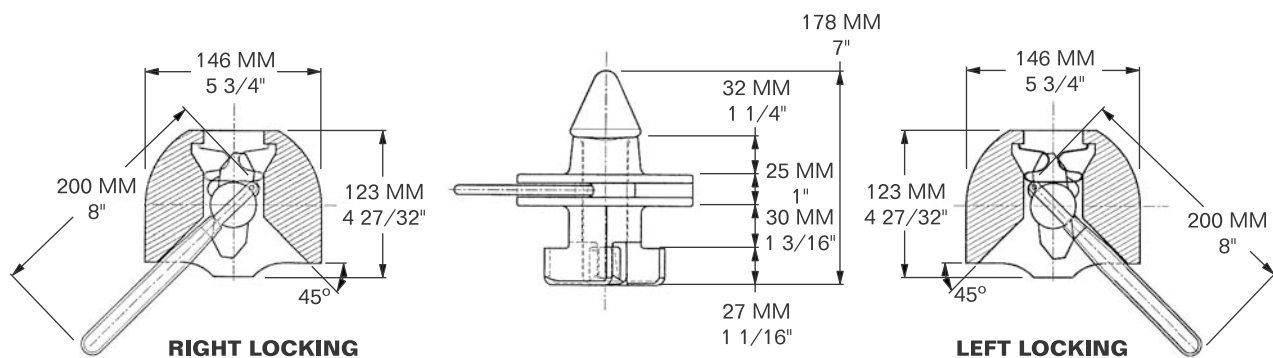


**5005-2936-LL**  
**LEFT HAND LOCKING**



**NOTE:** THIS FIXED BASE DESIGN PREVENTS PLACING THE LOCK UP-SIDE DOWN THAT OTHERWISE WILL CONFUSE LEFT LOCK OPEN FOR CLOSED AND RIGHT LOCK OPEN FOR CLOSED. FIXED BASE FLANGES ALSO PREVENT ROLL-OUT DURING LOADING.

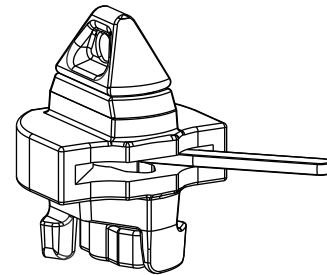
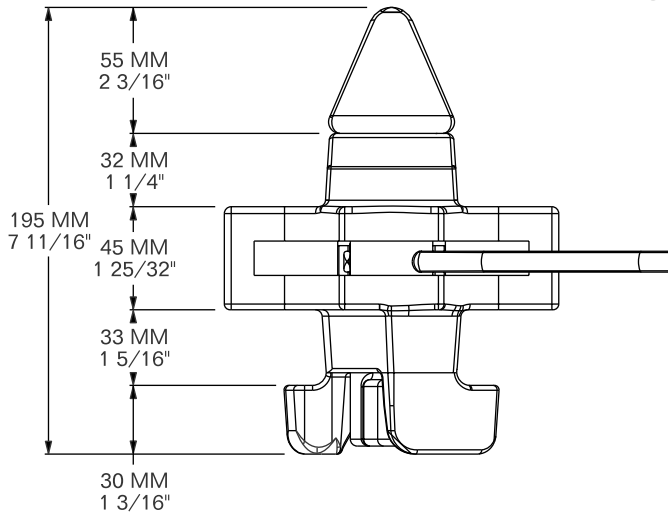
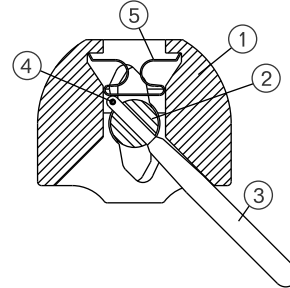
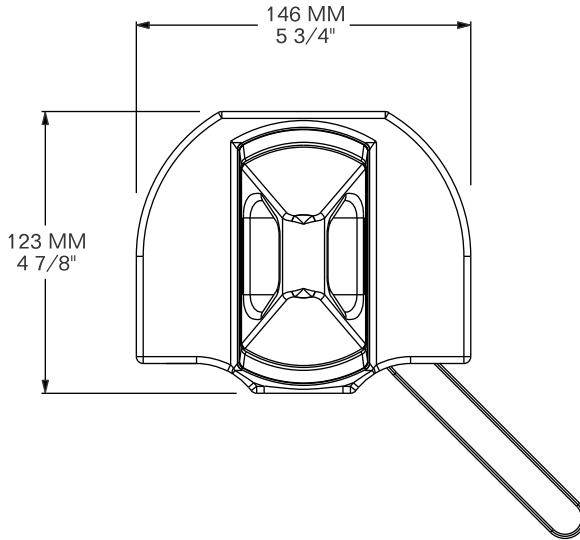
MODEL	TENSION BREAKING LOAD (M.TON)	SHEAR BREAKING LOAD (M.TON)	WEIGHT	HANDLE LENGTH
<b>5005-2936-RL</b>	50	40	5.5 Kg / 12.12 LBS	200 MM / 8"
<b>5005-2936-LL</b>	50	40	5.5 Kg / 12.12 LBS	200 MM / 8"



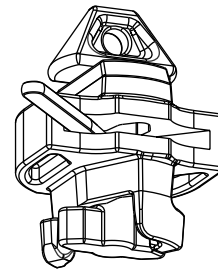
**MATERIAL:** DROP FORGED SHAFT, CAST HOUSING, STAINLESS STEEL SPRING  
**FINISH:** HOT DIPPED GALVANIZED (HDG)  
**CLASS APPROVED**

**MODEL 5005-1346-LL**

**LEFT LOCKING MODEL  
45 MM LOAD FLANGE**



**UNLOCKED**



**LOCKED**

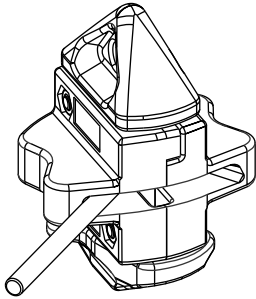
ITEM	QTY	MODEL	DESCRIPTION	WEIGHT
1	1	<b>5005-1346-1</b>	HOUSING	5.50 Kg / 12.20 LBS
2	1	<b>5005-1346-2</b>	PIN	2.20 Kg / 4.80 LBS
3	1	<b>5005-2936-3-L/R</b>	HANDLE	0.20 Kg / 0.45 LBS
4	1	<b>5005-2936-5-L/R</b>	SPLIT ROLL PIN	0.01 Kg / 0.01 LBS
5	1	<b>5005-2936-4-L/R</b>	HANDLE SPRING	0.01 Kg / 0.01 LBS

**5005-1346-LL WEIGHT:** 7.9 Kg / 17.5 LBS

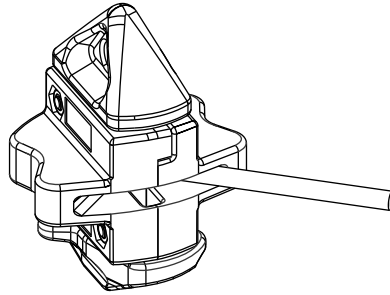
**MODEL 5005-7726-LL**

**MODEL 5005-7726-RL**

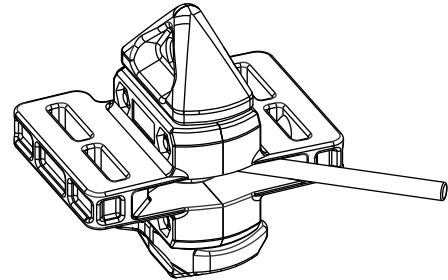
**MODEL 5005-7727-LL**



**MODEL 5005-7726-RL**  
**RIGHT LOCKING (RL)**



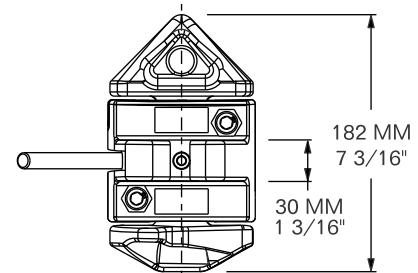
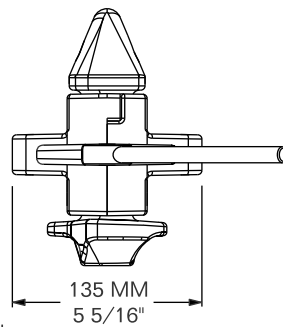
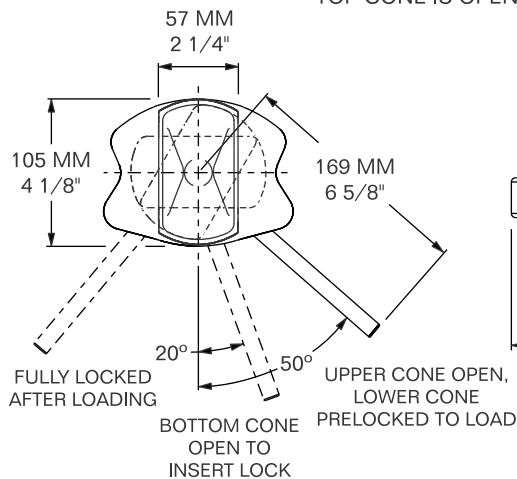
**MODEL 5005-7726-LL**  
**LEFT LOCKING (LL)**



**MODEL 5005-7727-LL**  
**LEFT LOCKING (LL)**  
**GL MODEL WITH LARGER LOAD PAD**  
**PER GL RULES**

MODEL	TENSION BREAKING LOAD (M.TON)	SHEAR BREAKING LOAD (M.TON)	WEIGHT	PAD SIZE W x L
<b>5005-7726-LL</b>	50	40	5.9 Kg / 13.0 LBS	135 MM x 105 MM
<b>5005-7726-RL</b>	50	40	5.9 Kg / 13.0 LBS	135 MM x 105 MM
<b>5005-7727-LL</b>	50	40	6.9 Kg / 15.2 LBS	176 MM x 131 MM

THREE WAY LOCKING FEATURE: BOTTOM CONE IS PRELOCKED WHEN TOP CONE IS OPEN TO PREVENT ROLL OUT DURING LOADING.



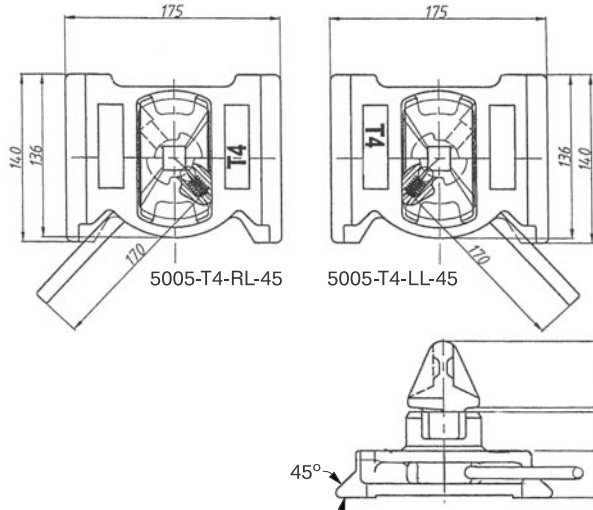
**B.L. TENSION:** 50 M. TON    **PROOF LOAD:** 37 M. TON  
**B.L. SHEAR:** 42 M. TON    **PROOF LOAD:** 26 M. TON  
**B.L. COMPRESSION:** 100 M. TON

**FINISH:** HOT DIPPED GALVANIZED (HDG)  
**5005-7726-LL/RL WEIGHT:** 5.9 Kg / 13.0 LBS  
**5005-7727-RL WEIGHT:** 6.9 Kg / 15.2 LBS



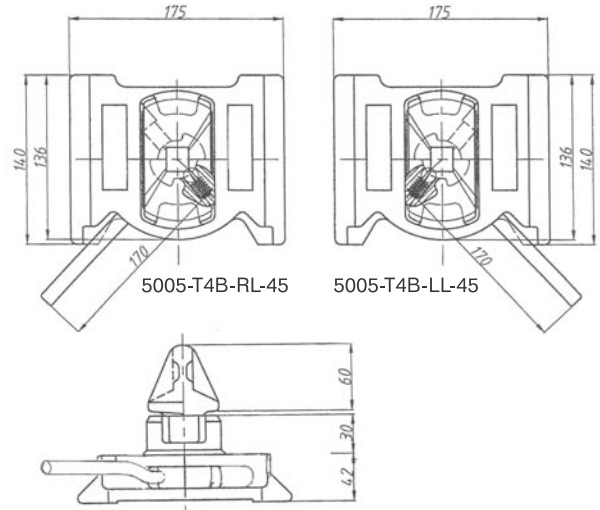
**MODEL 5005-T4-LL-45**  
**MODEL 5005-T4-RL-45**

**45 DEGREE, STRAIGHT HANDLE**



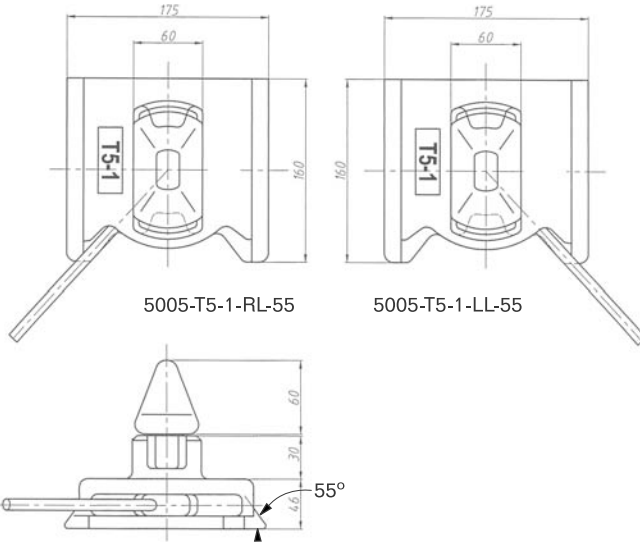
**MODEL 5005-T4B-LL-45**  
**MODEL 5005-T4B-RL-45**

**45 DEGREE, BENT HANDLE**



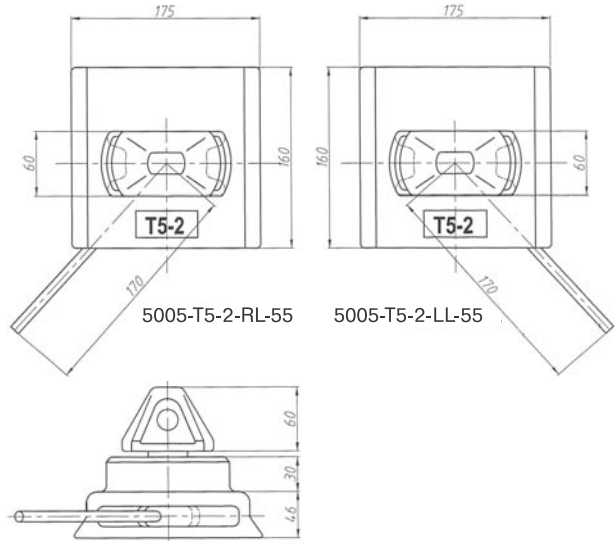
**MODEL 5005-T5-1-LL-55**  
**MODEL 5005-T5-1-RL-55**

**55 DEGREE, STANDARD**



**MODEL 5005-T5-2-LL-55**  
**MODEL 5005-T5-2-RL-55**

**55 DEGREE, TRANSVERSAL**



MODEL	TENSION BREAKING LOAD (M.TON)	SHEAR BREAKING LOAD (M.TON)	WEIGHT	HANDLE LENGTH
<b>5005-T4-LL-45 / 5005-T4-RL-45</b>	50	42	6.6 Kg / 14.6 LBS	170 MM / 6 3/4"
<b>5005-T4B-LL-45 / 5005-T4B-RL-45</b>	50	42	6.6 Kg / 14.6 LBS	170 MM / 6 3/4"
<b>5005-T5-1-LL-55 / 5005-T5-1-RL-55</b>	50	42	7.2 Kg / 15.9 LBS	170 MM / 6 3/4"
<b>5005-T5-2-LL-55 / 5005-T5-2-RL-55</b>	50	42	8.2 Kg / 18.1 LBS	170 MM / 6 3/4"

**MATERIAL:** DROP FORGED SHAFT AND CAST HOUSING, STAINLESS STEEL SPRING

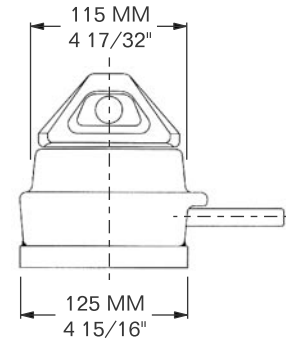
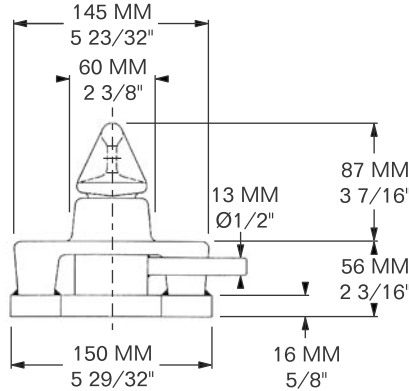
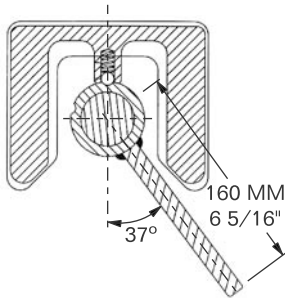
**FINISH:** HOT DIPPED GALVANIZED (HDG)

**CLASS APPROVAL:** CAN BE SUPPLIED WITH CLASSIFICATION SOCIETY APPROVAL





**MODEL 5005-C44B-LL**



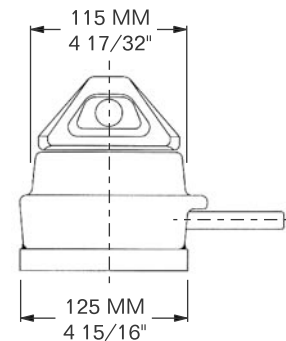
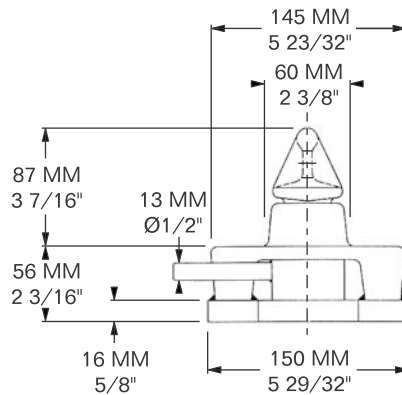
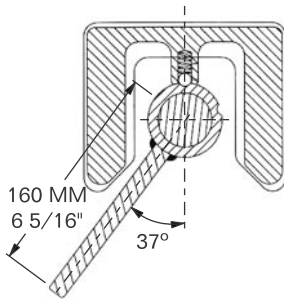
**LEFT LOCKING**

**MIN. B.L. TENSION:** 40 M. TON  
**MIN. B.L. SHEAR:** 42 M. TON

**FINISH:** HOT DIPPED GALVANIZED (HDG)  
**WEIGHT:** 7.2 Kg / 15.87 LBS



**MODEL 5005-C44B-RL**



**RIGHT LOCKING**

**MIN. B.L. TENSION:** 40 M. TON  
**MIN. B.L. SHEAR:** 42 M. TON

**FINISH:** HOT DIPPED GALVANIZED (HDG)  
**WEIGHT:** 7.2 Kg / 15.87 LBS



# BREECH BASE TWISTLOCKS

**MODEL 5005-7722-RL**

**MIN. B.S.:** TENSILE 36 M. TON, SHEAR 45 M. TON  
COMPRESSION 150 M. TON

**SUB FOR:** PECK & HALE F521-1-R  
**FINISH:** HOT DIPPED GALVANIZED (HDG)  
**WEIGHT:** 5.9 Kg / 13.0 LBS

RIGHT LOCKING SHOWN  
**5005-7722-RL**

**MODEL 5005-7811-LL**

**MODEL 5005-7811-RL**

**MIN. B.S.:** TENSILE 36 M. TON, SHEAR 45 M. TON  
COMPRESSION 150 M. TON

**SUB FOR:** PECK & HALE F656-L-C, -R-C  
**WORKS WITH:** BUFFERS 5011-7812 SOCKET FRAME  
**FINISH:** HOT DIPPED GALVANIZED (HDG)  
**WEIGHT:** 6.26 Kg / 13.8 LBS

LEFT LOCKING SHOWN  
**5005-7811-LL**